



- High lumen output - **up to 3000lm**
- Energy efficiency **up to 146lm/W**
- Long Lifetime **50000h**
- **Optical lenses**
- Designed and Assembled **in Poland**

DISCO

ELECTRICAL PARAMETERS

- power supply
- electrical insulation

CONSTANT CURRENT
500V

OPTICAL PARAMETERS

- rated useful luminous flux
- correlated colour temperature
- colour rendering index
- colour consistency
- optical lens

700÷2900lm
3000K / 4000K / 5700K
RA>80
<4 SDCM
OPTIONALLY**

MECHANICAL PARAMETERS

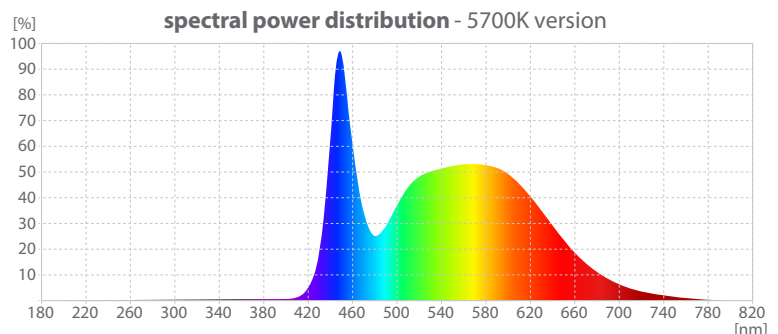
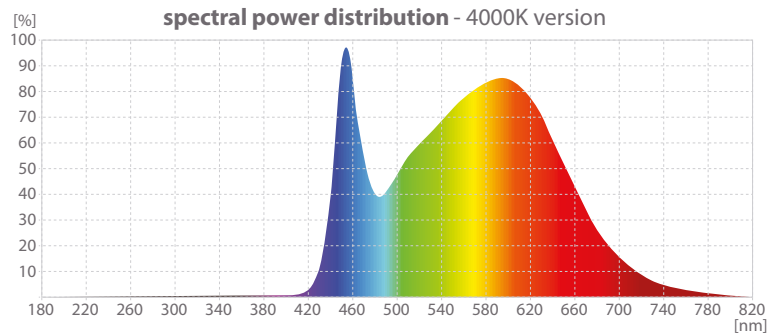
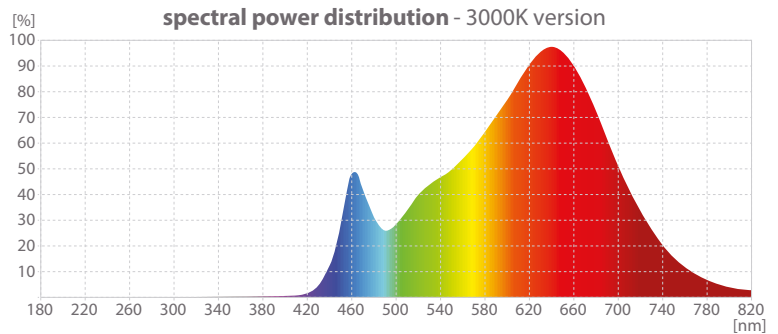
- base material
- circular outline dimension

ALUMINIUM 1.5mm
32±280mm

OPERATING PARAMETERS

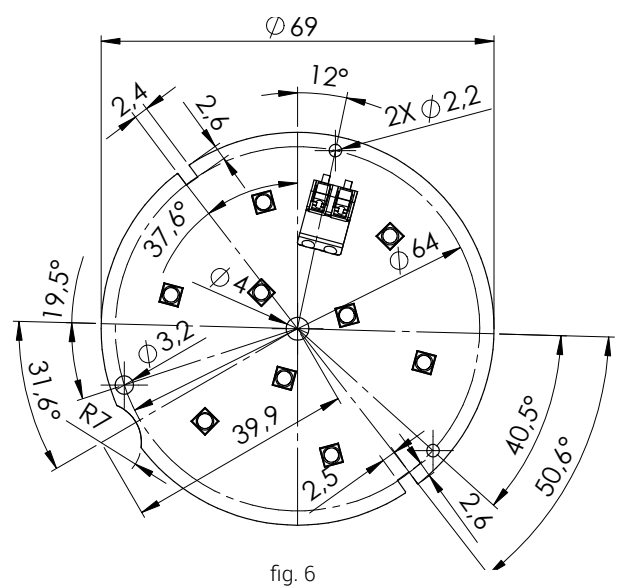
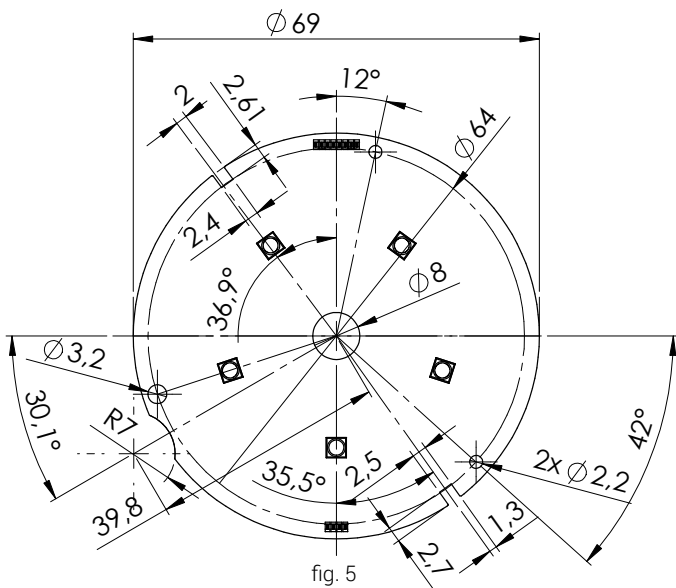
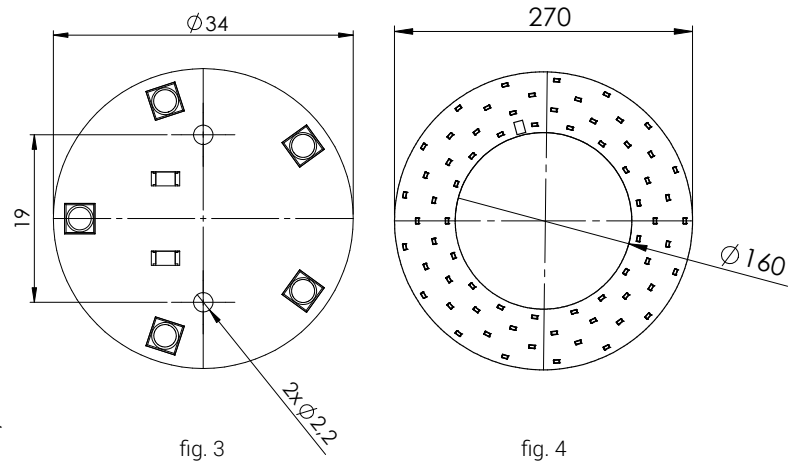
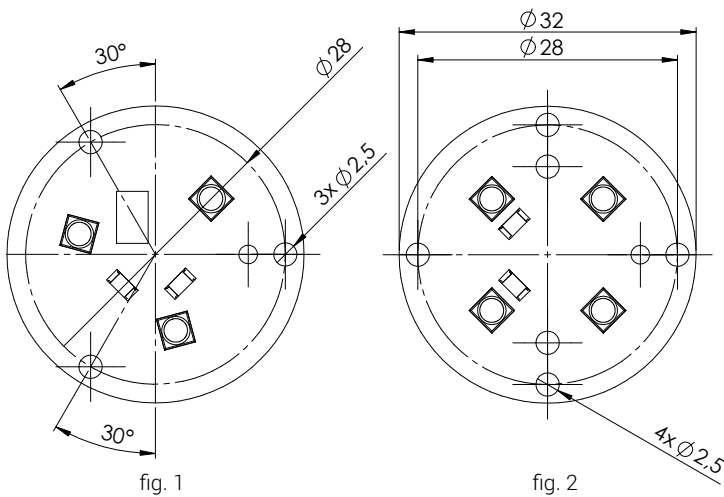
- rated lifetime at tc
- lumen maintenance factor
- operating temperature
- t-case maximum

>50000h
70%
-25°C to +45°C
70°C





DS032W700NCD	700mA	6W	700lm	3000K	115°	34°	117lm/W	32mm	36	1
DS032N700NCD	700mA	6W	700lm	4000K	120°	34°	121lm/W	32mm	36	1
DS032C750NCD	700mA	6W	750lm	5700K	120°	34°	125lm/W	32mm	36	1
DS032W950NCD	700mA	8W	950lm	3000K	115°	34°	119lm/W	32mm	36	2
DS032N1000NCD	700mA	8W	1000lm	4000K	120°	34°	125lm/W	32mm	36	2
DS032C1100NCD	700mA	8W	1100lm	5700K	120°	34°	138lm/W	32mm	36	2
DS034W1400NCD	700mA	12W	1400lm	3000K	115°	-	117lm/W	33mm	24	3
DS034N1550NCD	700mA	12W	1550lm	4000K	120°	-	129lm/W	33mm	24	3
DS034C1750NCD	700mA	12W	1750lm	5700K	120°	-	146lm/W	33mm	24	3
DS069W1600NCD	1000mA	15W	1600lm	3000K	115°	18° / 36°	107lm/W	69mm	18	5
DS069N1750NCD	1000mA	15W	1750lm	4000K	120°	18° / 36°	117lm/W	69mm	18	5
DS069N1900NCD	1000mA	15W	1900lm	5700K	120°	18° / 36°	127lm/W	69mm	18	5
DS069W2100NCD	700mA	18W	2100lm	3000K	115°	36°	117lm/W	69mm	12	6
DS069N2300NCD	700mA	18W	2300lm	4000K	120°	36°	128lm/W	69mm	12	6
DS069C2600NCD	700mA	18W	2600lm	5700K	120°	36°	144lm/W	69mm	12	6
DS270W2800NCD	500mA	27W	2800lm	3000K	120°	-	104lm/W	270mm	10	4
DS270N3000NCD	500mA	27W	3000lm	4000K	120°	-	111lm/W	270mm	10	4



Specifications are subject to change without notice. Errors and omissions are possible. Typical given the technical parameters are statistical values, which may differ from the actual technical parameters of individual products.