



- Direct supply from **230VAC**
- High lumen output - **up to 1700lm**
- Energy efficiency **up to 105lm/W**
- Long Lifetime **5000h**
- **Dimmable**
- Designed and Assembled **in Poland**

## DISCO

### ELECTRICAL PARAMETERS

- rated voltage 230V
- voltage frequency 50÷60Hz
- electrical insulation 1500V
- power factor >0.98
- conducted immunity 1000V BURST / 500V SURGE

### OPTICAL PARAMETERS

- rated useful luminous flux 250÷1700lm
- correlated colour temperature 3000K / 4000K
- colour rendering index Ra>80
- colour consistency <4 SDCM
- optical lens OPTIONALLY\*\*

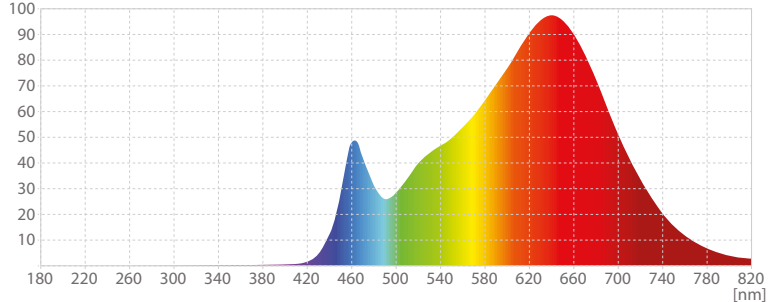
### MECHANICAL PARAMETERS

- base material ALUMINIUM 1.5mm
- module diameter 32±160mm

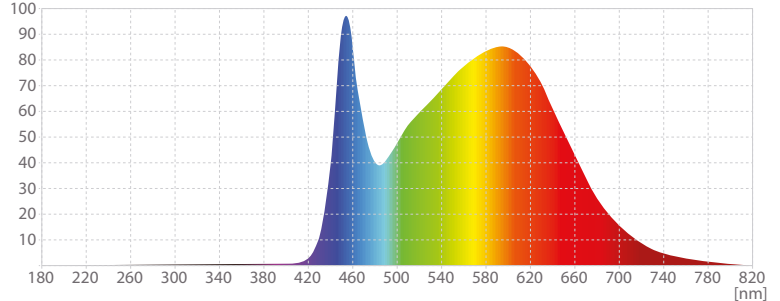
### OPERATING PARAMETERS

- rated lifetime at tc >50000h
- lumen maintenance factor 70%
- switching cycle >100000X
- starting time <0.1s
- operating temperature -25°C to 45°C
- t-case maximum 70°C
- dimmable YES

spectral power distribution - 3000K version



spectral power distribution - 4000K version





DS032W250NAD	230VAC	5W	250lm	3000K	120°	-	50lm/W	32mm	36	1
DS060W850NAD	230VAC	9W	850lm	3000K	120°	-	95lm/W	60mm	36	1
DS060N900NAD	230VAC	9W	900lm	4000K	120°	-	99lm/W	60mm	36	1
DS060W1000NAD	230VAC	15W	1000lm	3000K	115°	36°	67lm/W	60mm	12	2
DS100W1150NAD	230VAC	12W	1150lm	3000K	120°	-	94lm/W	100mm	18	3
DS100N1150NAD	230VAC	12W	1150lm	4000K	120°	-	96lm/W	100mm	18	3
DS160W1650NAD	230VAC	16W	1650lm	3000K	120°	-	102lm/W	160mm	18	3
DS160N1700NAD	230VAC	16W	1700lm	4000K	120°	-	105lm/W	160mm	18	3

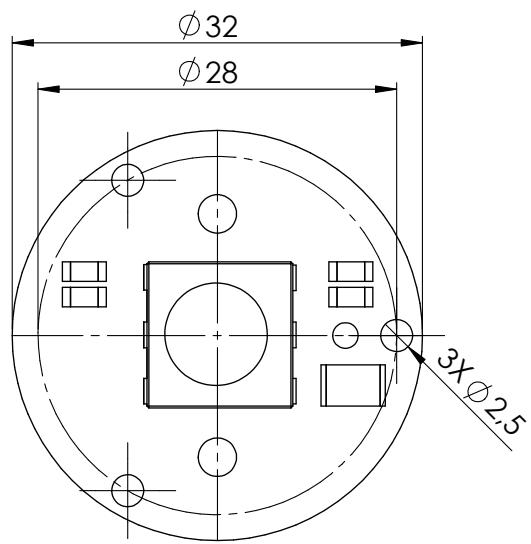


fig. 1

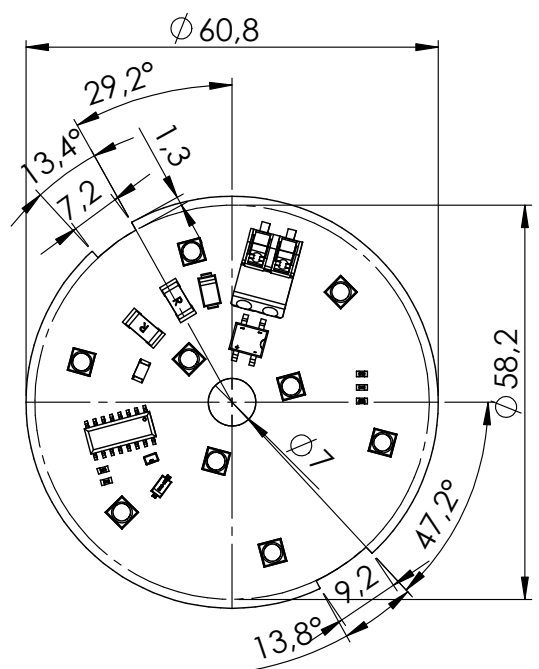


fig. 2

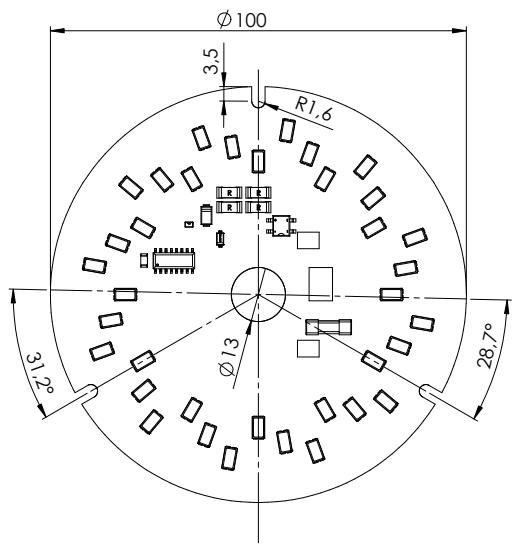


fig. 3

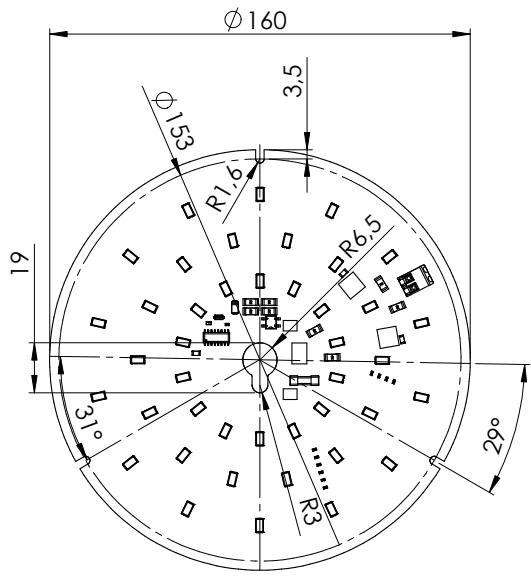


fig. 4

Specifications are subject to change without notice. Errors and omissions are possible. Typical given the technical parameters are statistical values, which may differ from the actual technical parameters of individual products.