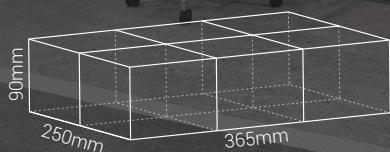




- High performance **AR111 spot LED lamp**
- High flux - **up to 1000lm**
- Energy Efficiency **Class A**
- **Over-temperature Protection**
- Long Lifetime **30000h**
- Designed and **Assembled in Poland**

1 box = 6 pcs



## ES111

### ELECTRICAL PARAMETERS

- rated voltage 230V
- voltage frequency 50-60Hz
- rated power 10W / 15W
- power factor 0.99

### OPTICAL PARAMETERS

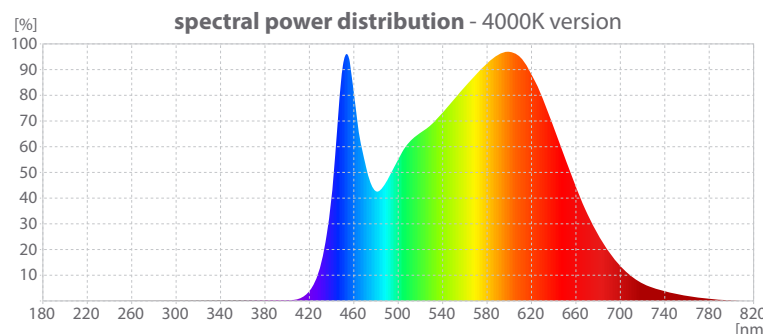
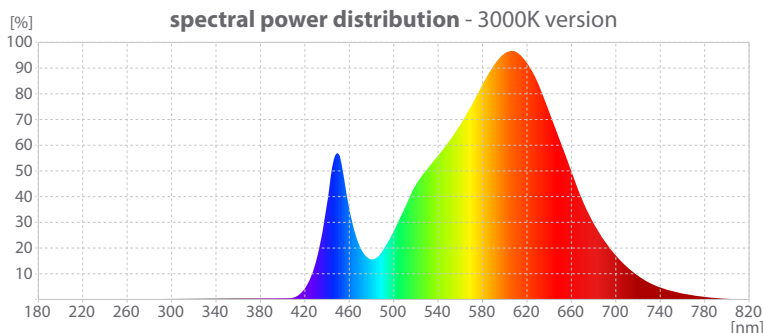
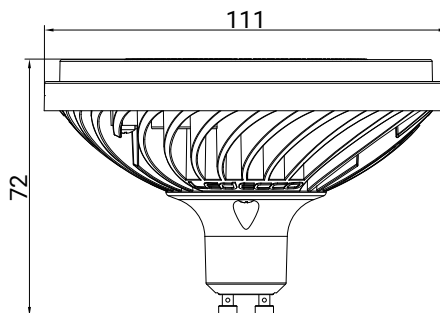
- rated useful luminous flux 650lm / 700lm / 800lm / 1000lm
- correlated colour temperature 3000K / 4000K
- chromacity WARM WHITE / NEUTRAL WHITE
- colour rendering index Ra>80
- colour consistency <4 SDCM
- rated beam angle 36° / 100°
- optics PMMA LENS
- housing colour RAL9010 / RAL3500 / SILVER

### MECHANICAL PARAMETERS

- cap-base GU10
- housing material ALUMINIUM / MAGNESIUM
- height 72mm
- circular outline dimension 111mm
- net weight 202g / 186g

### OPERATING PARAMETERS

- energy efficiency label A
- rated lifetime >30000h
- lumen maintenance factor 80%
- switching cycle >30000X
- warm-up time up 60% of the full light
- starting time INSTANT FULL-LIGHT
- operating temperature <0.2s
- t-case maximum -25°C do +35°C
- dimmable +70°C
- dimmable YES, sector dimming





ES111W650WGD	5902020153542	100°	graphite	3000K	650lm	10W
ES111W650WSD	5903240710645	100°	silver	3000K	650lm	10W
ES111W650WWD	5902020153283	100°	white	3000K	650lm	10W
ES111N700WGD	5903240710669	100°	graphite	4000K	700lm	10W
ES111N700WSD	5903240710652	100°	silver	4000K	700lm	10W
ES111N700WWD	5903240710676	100°	white	4000K	700lm	10W
ES111W800WGD	5903240710737	100°	graphite	3000K	800lm	15W
ES111W800WSD	5903240710713	100°	silver	3000K	800lm	15W
ES111W800WWD	5903240710706	100°	white	3000K	800lm	15W
ES111W1000MGD	5902020153399	36°	graphite	3000K	1000lm	15W
ES111W1000MSD	5902020153375	36°	silver	3000K	1000lm	15W
ES111W1000MWD	5902020153412	36°	white	3000K	1000lm	15W

Specifications are subject to change without notice. Errors and omissions are possible. Typical given the technical parameters are statistical values, which may differ from the actual technical parameters of individual products. Use with luminaires providing free air circulation.